

If you buy a holder or set from the ERgo product group, you will receive 1 additional tool **for free**.

**NC-Spot Drill**



99816-09V  
99816-606  
99816-610  
99816-614

**P M N** Suitable Material

**Engraving Tool**

99816-V045  
99816-V060  
99816-X060



**i-Center**

99816-IC10BH



Center Coolant

**Chamfer Mill**



99816-C10

**Power Mill**

99816-10A06  
99816-12A06  
99816-16A06  
99816-20A06  
99816-25A06  
99816-32A06



Center Coolant

- Tools are already pre-balanced and ready for high-speed machining
- Center coolant goes directly to the cutting edge
- Tool life can be increased by 3 – 5 times

The promotion period starts immediately and ends on December 15, 2020.  
Your welcome to contact us, if you have any questions.

If you buy a holder or set from the ERgo product group, you will receive 1 additional tool **for free**.

**NEW**

Price and stock availability is available upon request

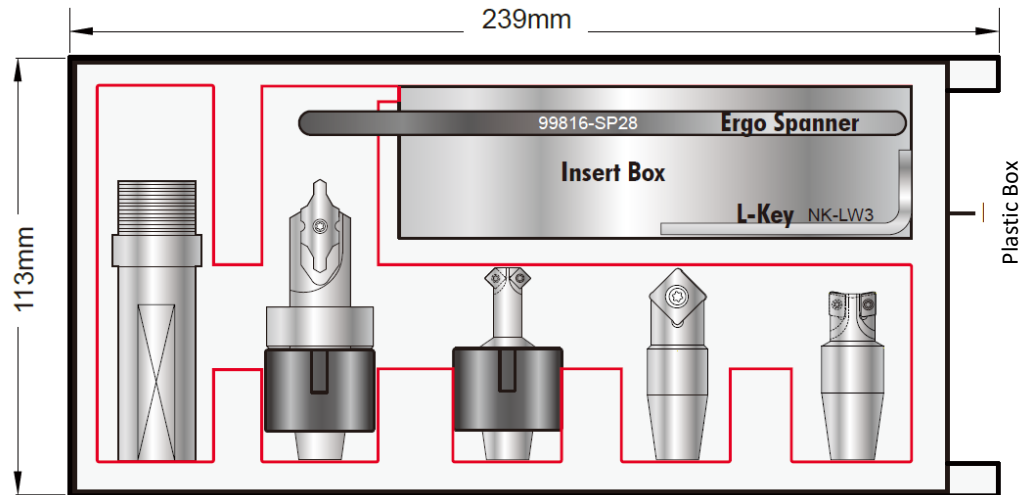


**ER 16 ERgo Package**

ERgo-Nut: NN-M19  
NN-M22

- Contents:
- 1x ER-Extension Collet Chuck L=50mm
  - 2x ER16-Nut
  - 1x i-Center Holder
  - 1x Chamfer Mill Holder
  - 1x NC-Spot Drill Holder
  - 1x Power Mill Holder
  - 1x ERgo Spanner
  - 1x L-Key
  - 1x Insert Box
  - 1x Plastic Box

\* Insert is not included



Available items:

- |               |              |           |           |             |
|---------------|--------------|-----------|-----------|-------------|
| SL20-ER16M-50 | 99816-IC10BH | 99816-C10 | 99816-09V | 99816-10A06 |
| SL20-ER16-50  |              |           | 99816-606 | 99816-12A06 |
|               |              |           | 99816-610 | 99816-16A06 |
|               |              |           | 99816-614 | 99816-20A06 |
|               |              |           |           | 99816-25A06 |
|               |              |           |           | 99816-32A06 |

The promotion period starts immediately and ends on December 15, 2020.

Your welcome to contact us, if you have any questions.